

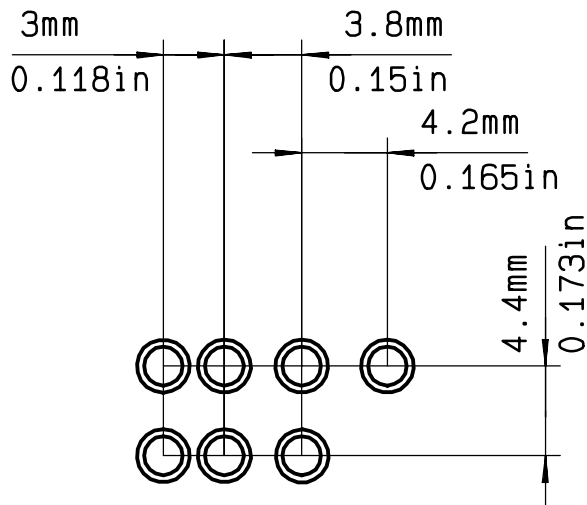
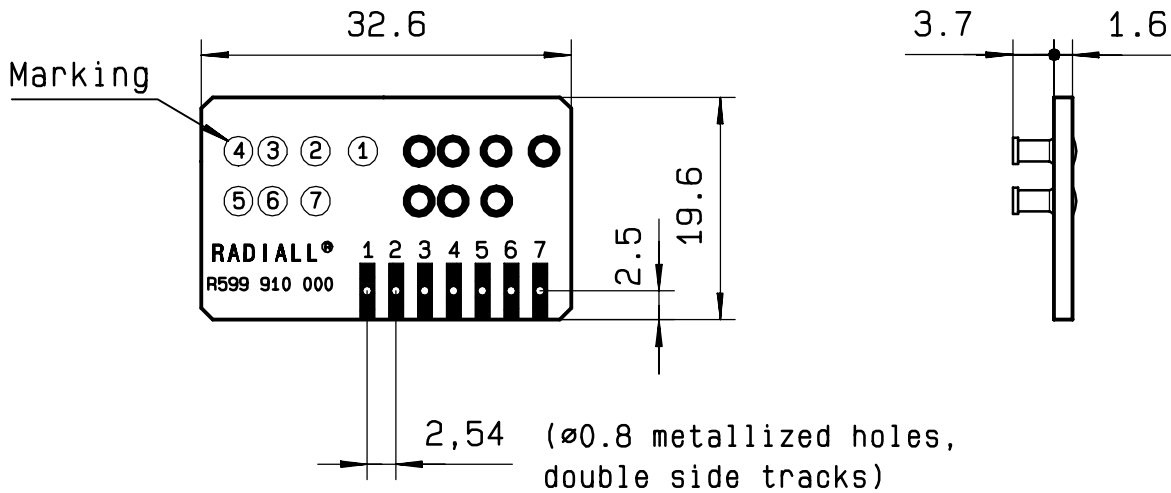


PCB Interface Connector
for SPDT-DPDT-DP3T switches

(R570 / R571 / R577 / R578 / R585 / R586)

issue
11. Jun. 96

Page
1 / 1



General tolerance: ± 0,3 mm

This information is given as an indication. In the continual goal to improve our products, we reserve the right to make any modifications judged necessary

4112-9212

CREATION N° : PEN/EP: CAT Name: TB Date: 11. Jun. 96 APP.: PG				
	ISSUE	REVISIONS		APPR.

RADIAL[®]

101. rue P. Hoffmann - Z.I Ouest-
93116 ROSNY/BOIS Cedex-FRANCE
Phone: 33(1)49353535
Fax : 33(1)48546363
Tlx RADIA 235220F